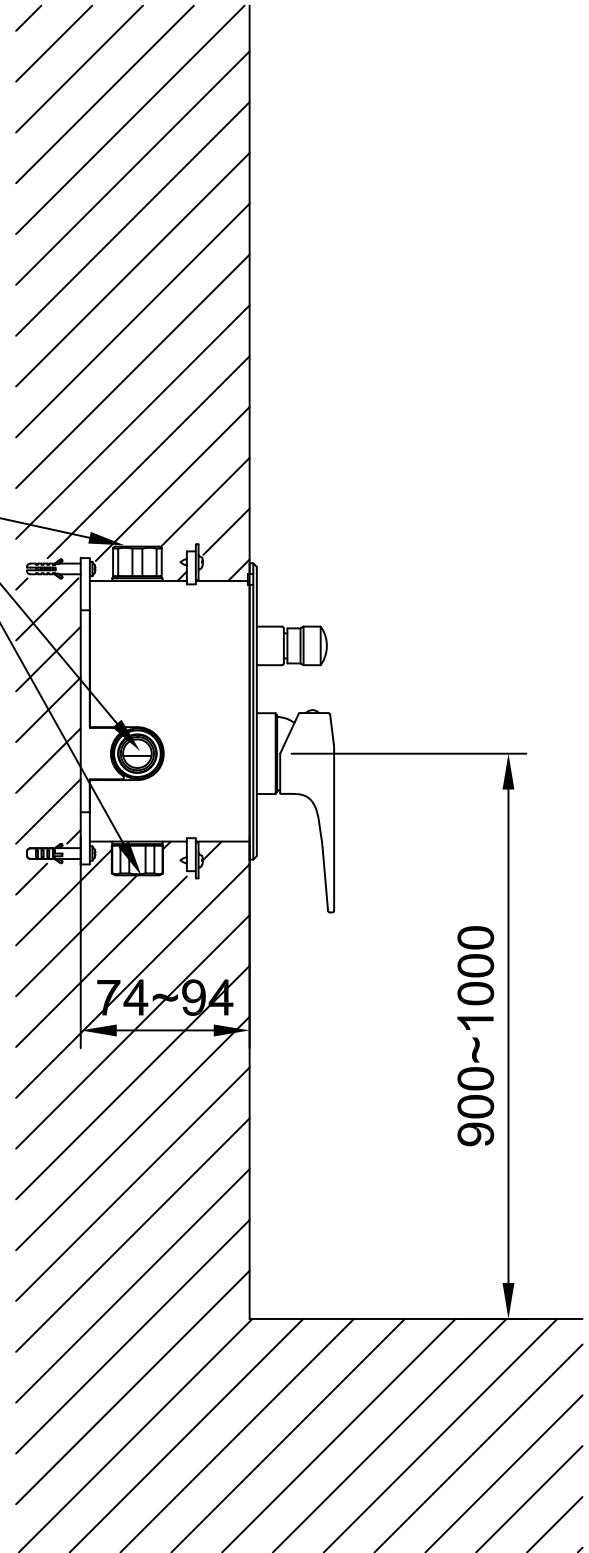


4-G1/2



10020099601